

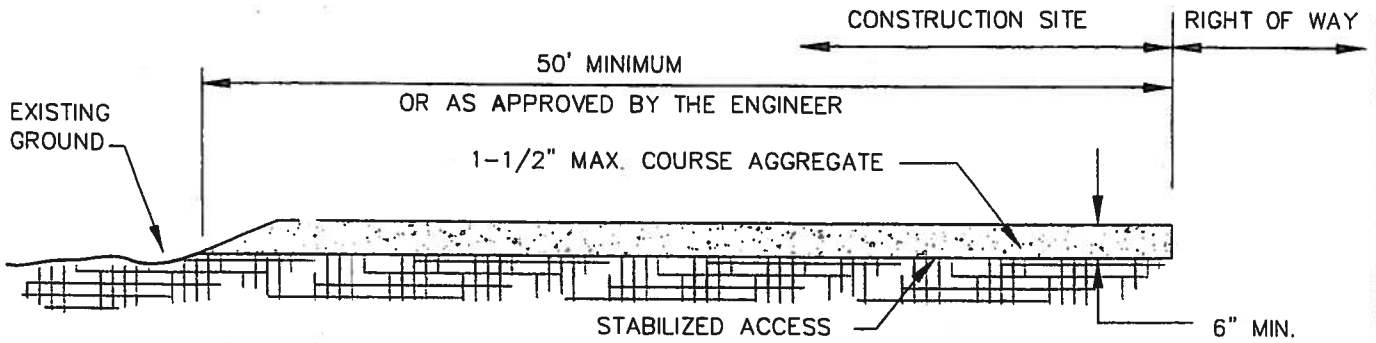
EROSION CONTROL STANDARD PLANS

DESCRIPTION

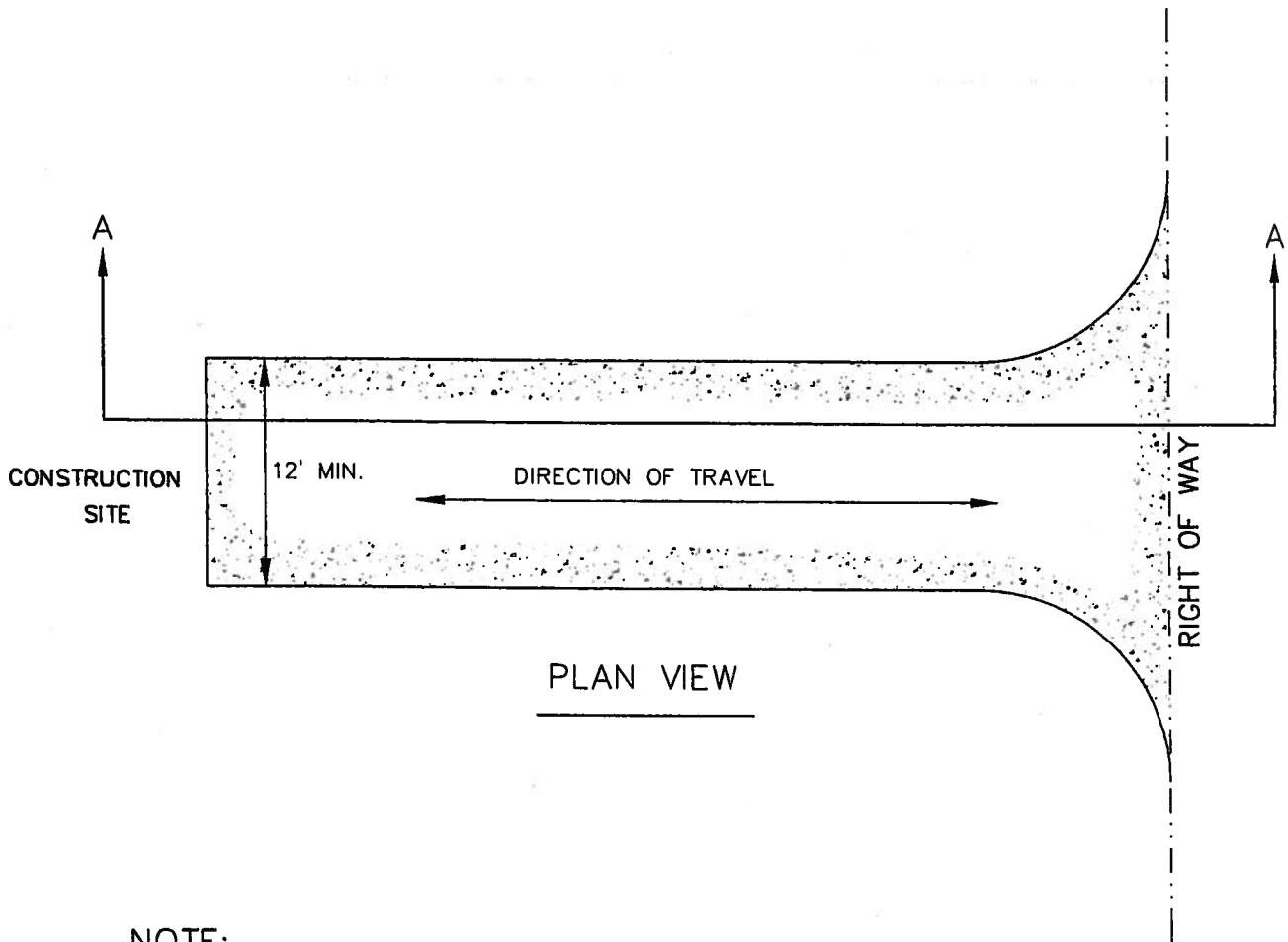
800 SERIES - EROSION CONTROL

- | | |
|-----|---|
| 801 | Stabilized Construction Site Access |
| 802 | Straw Bale Installation |
| 803 | Fabric Silt Barrier |
| 804 | Straw Bale Catch Basin Sediment Barrier |
| 805 | Straw Bale Drip Inlet Sediment Barrier |





SECTION A-A



PLAN VIEW

NOTE:

PROVIDE APPROPRIATE TRANSITION BETWEEN STABILIZED CONSTRUCTION ENTRANCE AND CITY RIGHT-OF-WAY.

FILE: BMAP-STD\CLG\STD\CLOV800-805.DWG



**STABILIZED CONSTRUCTION
SITE ACCESS**

**STD. NO.
801**

SCALE: NONE

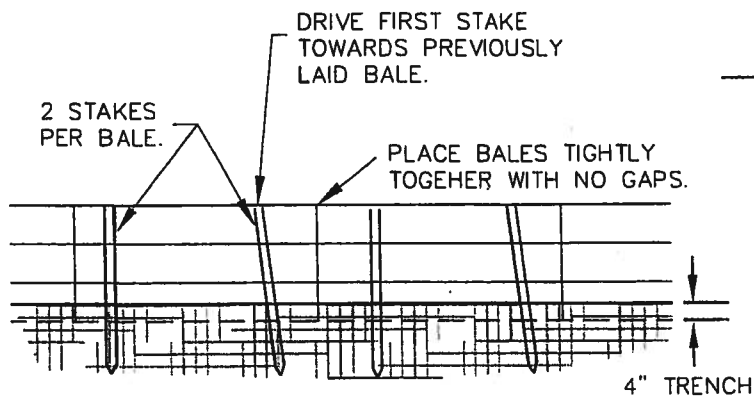
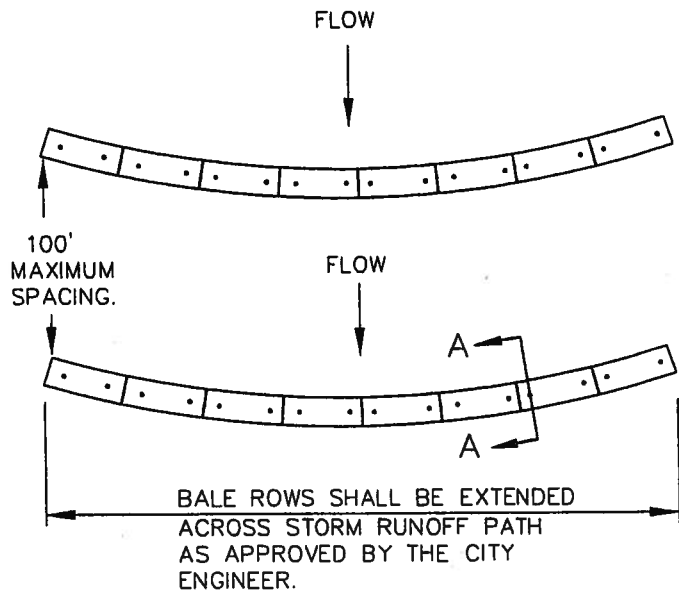
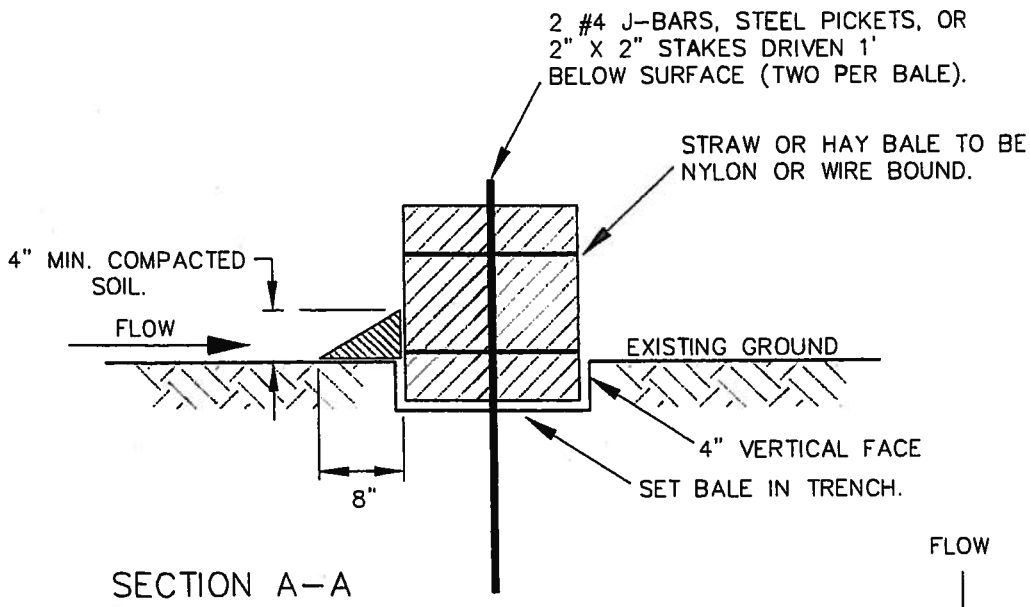
DRAWN: CLG

CHK: JHG

APPVD:

DATE: APR. 2004





FILE: BMAP-STD\CLOVER\STD\CLOV800-805.DWG



STRAW BALE INSTALLATION

STD. NO.
802

SCALE: NONE

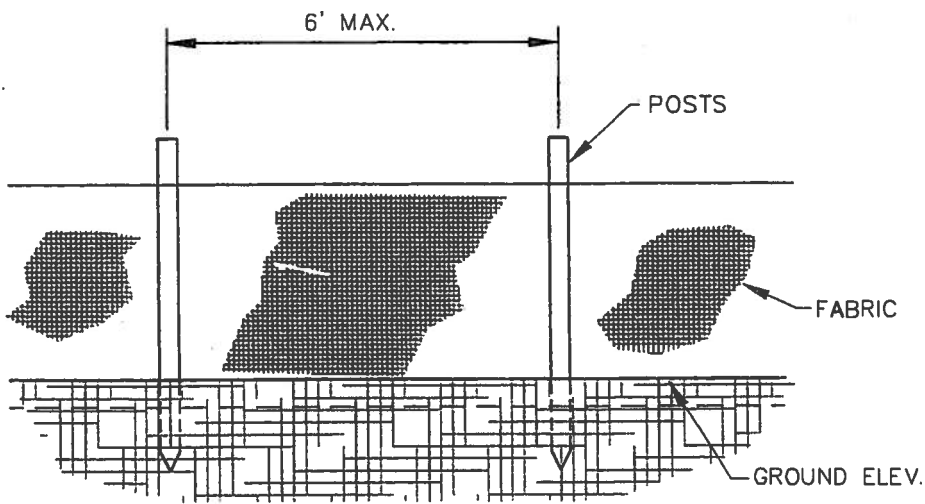
DRAWN: CLG

CHK: JHG

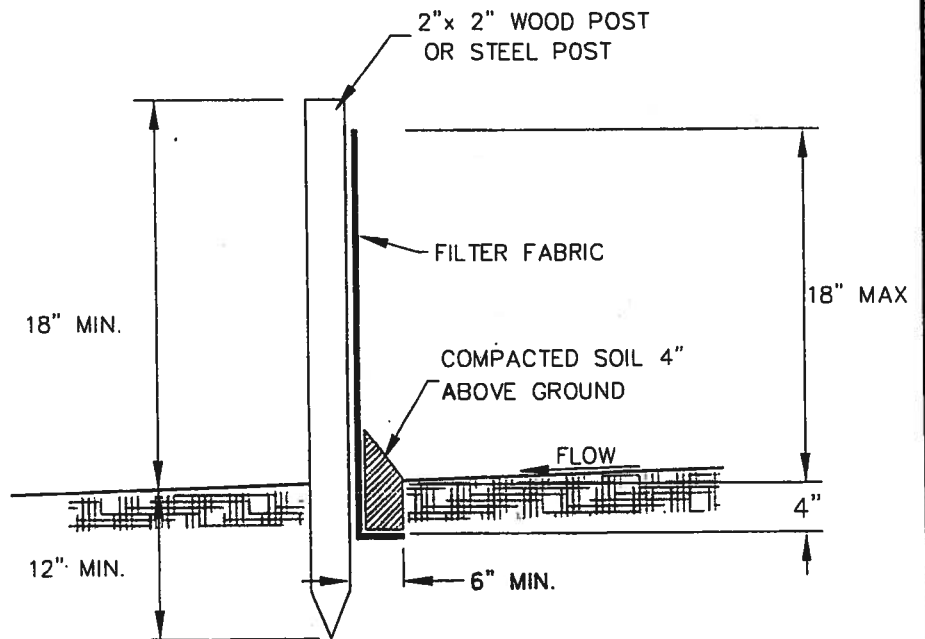
APPVD:

DATE: APR. 2004





FRONT VIEW



CROSS SECTION

FILE: BMAP-STD\CLOVER\STD\CLOVB00-805.DWG



FABRIC SILT BARRIER

STD. NO.

803

SCALE: NONE

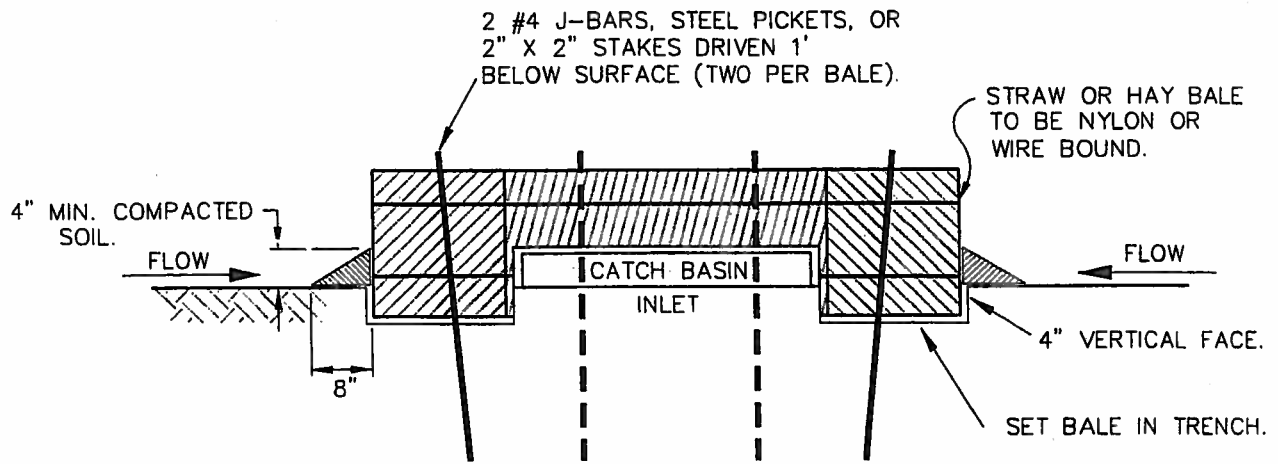
DRAWN: CLG

CHK: JHG

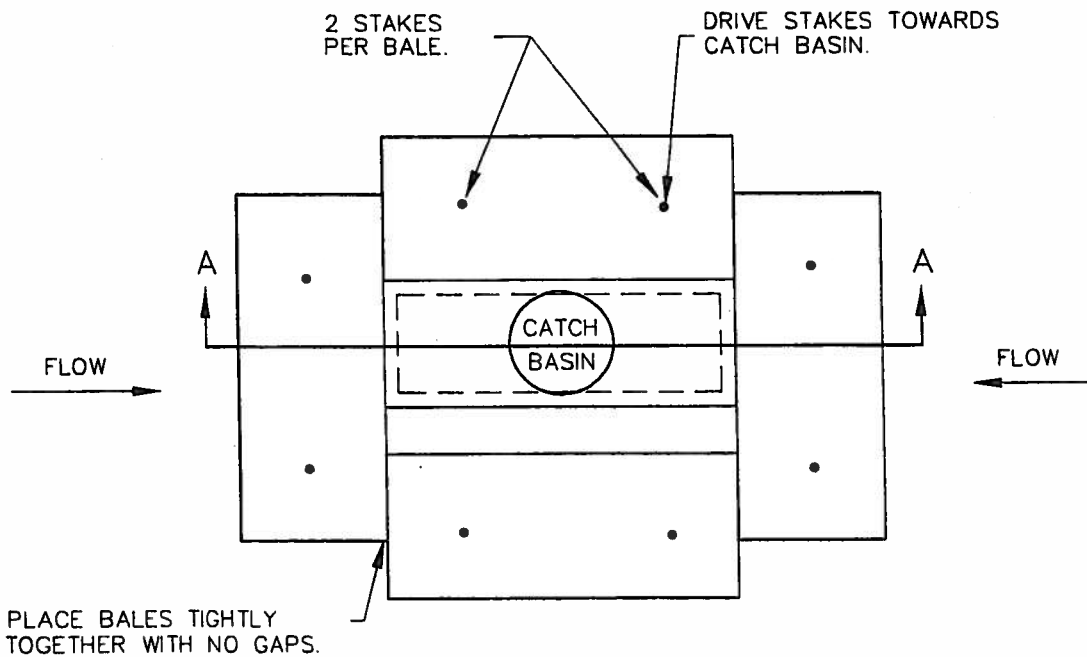
APPVD:

DATE: APR. 2004





SECTION A-A



PLAN VIEW

FILE: BMAP-STD\CLOV\STD\CLOV800-805.DWG



**STRAW BALE CATCH BASIN
SEDIMENT BARRIER**

**STD. NO.
804**

SCALE: NONE

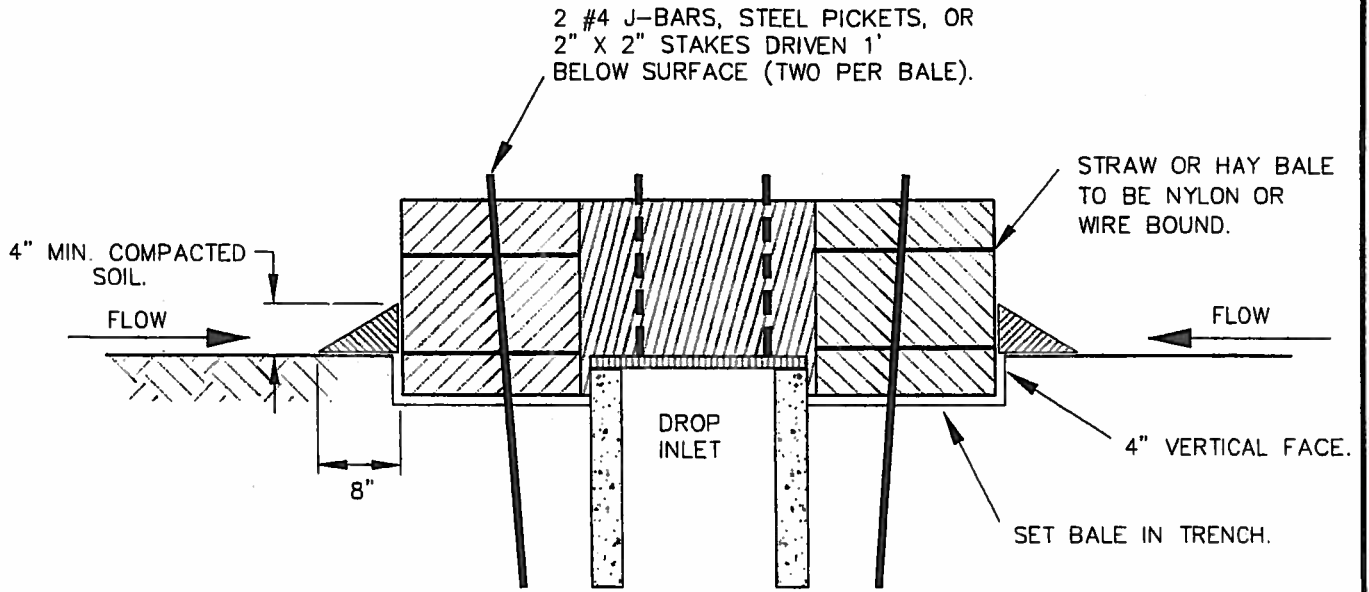
DRAWN: CLG

CHK: JHG

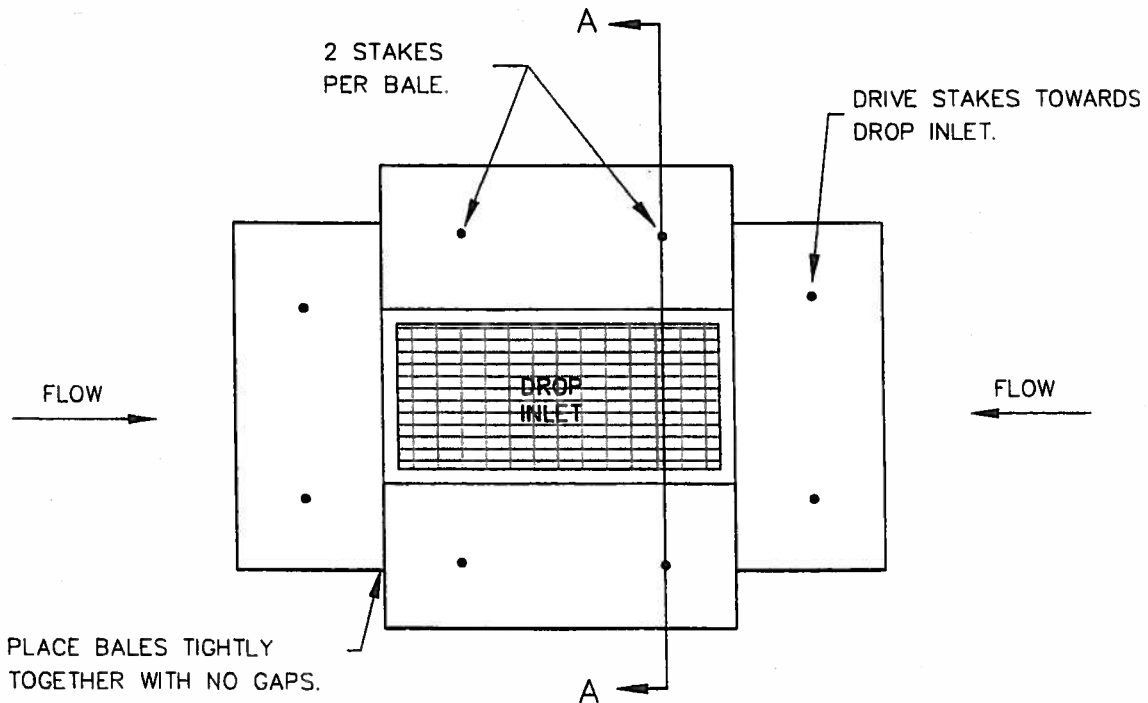
APPVD:

DATE: APR. 2004





SECTION A-A



PLAN VIEW

FILE: BMAP-STD\CLO\STD\CLOV800-805.DWG



**STRAW BALE DROP INLET
SEDIMENT BARRIER**

STD. NO.
805

SCALE: NONE

DRAWN: CLG

CHK: JHG

APPVD:

DATE: APR. 2004

